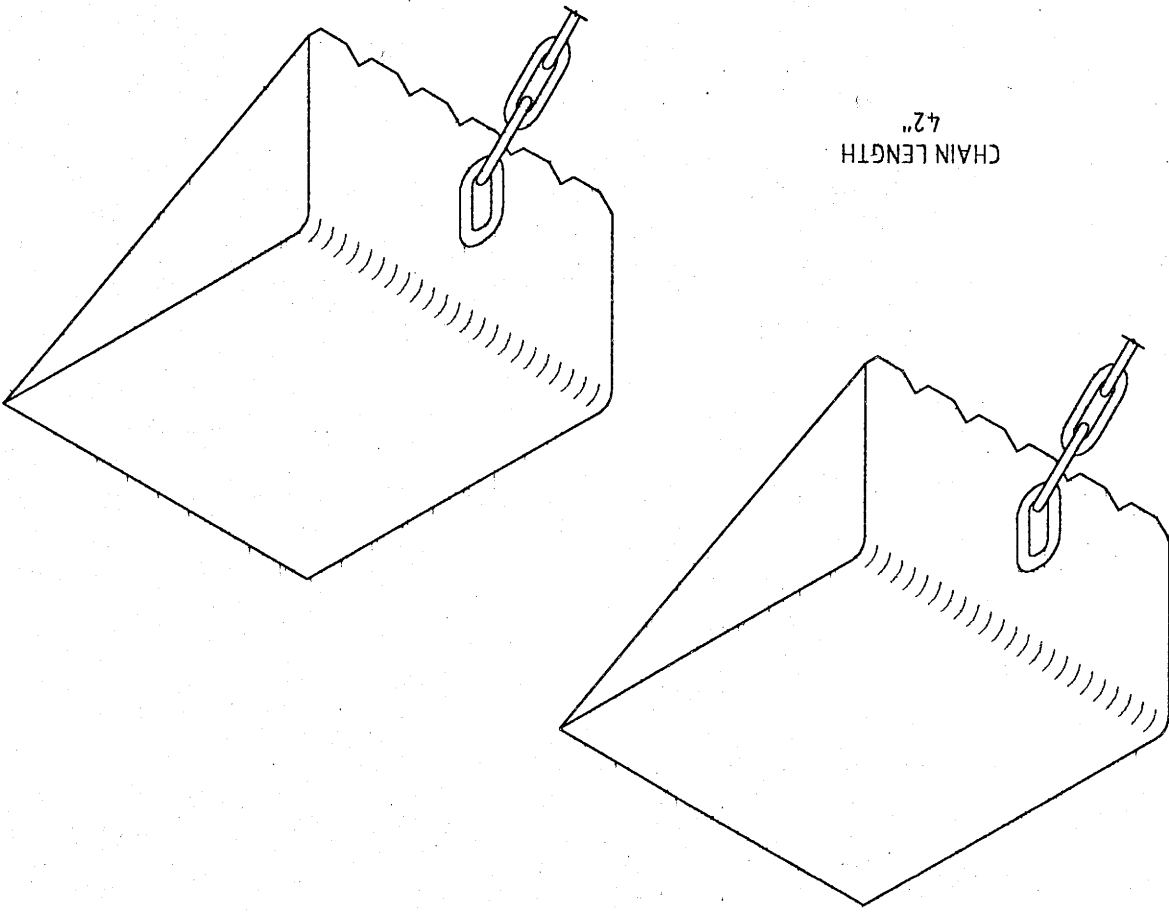


DIVERSIFIED PRODUCTS MANUFACTURING

8330 ATLANTIC BLVD., JACKSONVILLE, FL. 32211
 1-800-874-4172, (904)724-0310, FAX (904)724-4494

MP-9025 & MP-9050 SCOTCH BLOCKS

LB.	PART #	DESCRIPTION	DIMENSIONS (LxWxH-T)
70	MP-9050	H.D. SCOTCH BLOCKS (PR)	16 1/2" x 12 1/2" x 6" - 1/4"
42	MP-9025	1 TON SCOTCH BLOCKS (PR)	10 1/2" x 11 1/4" x 5" - 1/4"



CHAIN LENGTH
42"