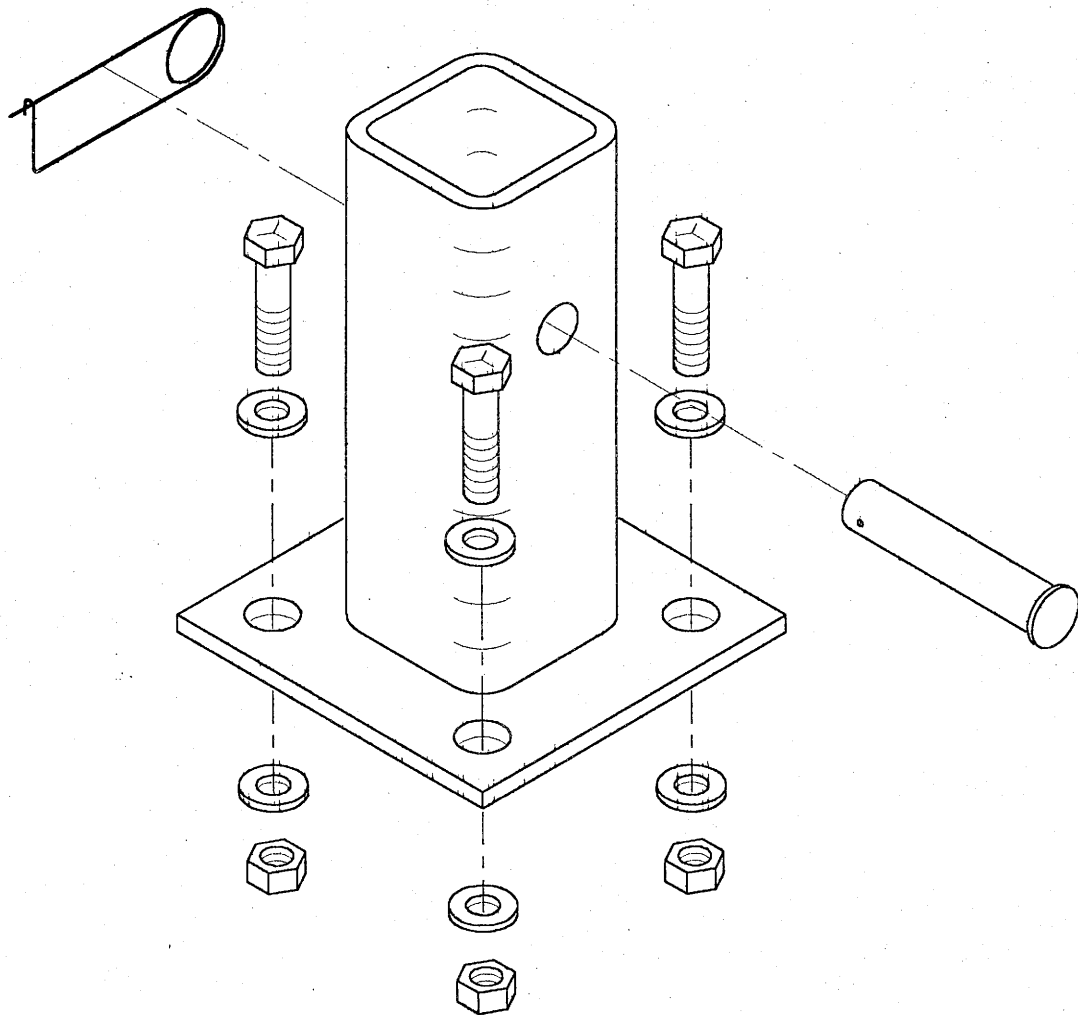


DIVERSIFIED PRODUCTS MANUFACTURING

8330 ATLANTIC BLVD., JACKSONVILLE, FL. 32211

1-800-874-4172, (904)724-0310, FAX (904)724-4494

MP-100 GO JAK BRACKET KIT



QTY.	PART #	DESCRIPTION
2	MP-101	GO JAK STAND WELDMENT
8	X-092	HEX BOLT ($\phi 3/8 \times 1$), GRD 5, ZP
16	X-315	FLAT WASHER ($\phi 3/8$), ZP
8	X-221	2 WAY LOCK NUT ($\phi 3/8$), ZP
2	X-358	SAFETY PIN, ZP
2	X-374	CLEVIS PIN ($\phi 1/2 \times 2 1/2$), ZP