

# MP-200 Fold-down Light Bar Brackets

Your Light Bar is one of those most critical components of your truck. You want it to sit high and be seen for miles, but getting your truck into a parking garage without crushing the light bar is vital!

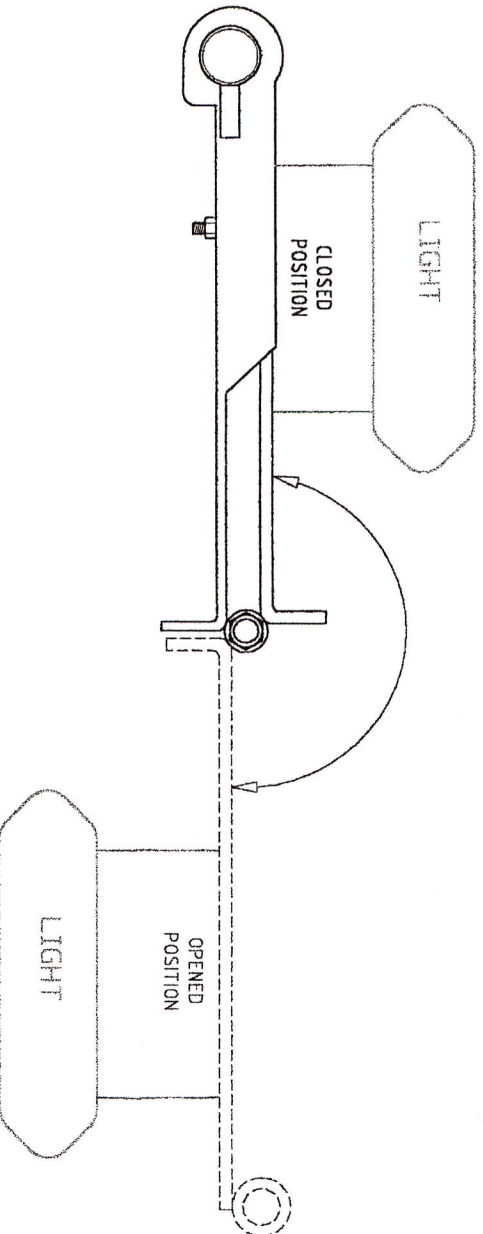
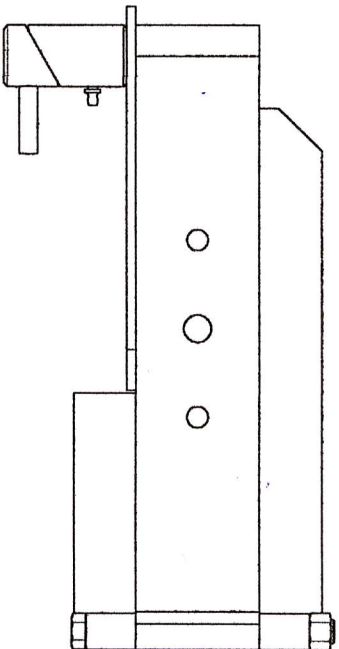
The MP-200 Fold-down Light Bar Brackets are just what you need. Two Cam-Locking Fold-down Brackets are bolted onto your headache rack, and then you mount your light bar onto the brackets.

Just release the Camlocks and you can flip the entire light bar over backwards, giving you almost as much extra clearance as the total height of your Light Bar. Rubber Vibration Mounts help hold the Light Bar securely in the normal position.

**It's Secure, It's Fast, and it's easy to install!**

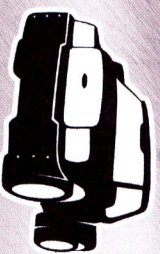
#### Replacement Parts:

MP-9152Z	3/4" Camlock Plunger, Threaded Assy (zp)
MP-9153Z	3/4" Camlock Handle, Threaded Assy (zp)
X-037	Hex Bolt, 1/2"x5" G5 (zp)
X-092	Hex Bolt, 3/8"x1" G5 (zp)
X-216	Hex Nut, 5/16" (zp)
X-221	2-way Locknut, 3/8" (zp)
X-225	2-way Locknut, 1/2" (zp)
X-315	Flat Washer, 3/8" (zp)
X-320	Lock Washer, 3/8" (zp)
X-324	Flat Washer, 7/16" (zp)
X-457	Black Vinyl Cap (for handle)
X-470	Vibration Mount 3/4"x 1.25"
X-488	Spring for 3/4" Camlock (zp)



## Diversified Products Mfg.

8330 Atlantic Blvd, Jacksonville FL 32211  
800-874-4172, 904-724-0310, Fax 904-724-4494



**Pushbumper.com**

Commercial Truck and Towing Accessories