


TB-6800/6900 Series Medium Duty Truck Bars

Pushbumper.com



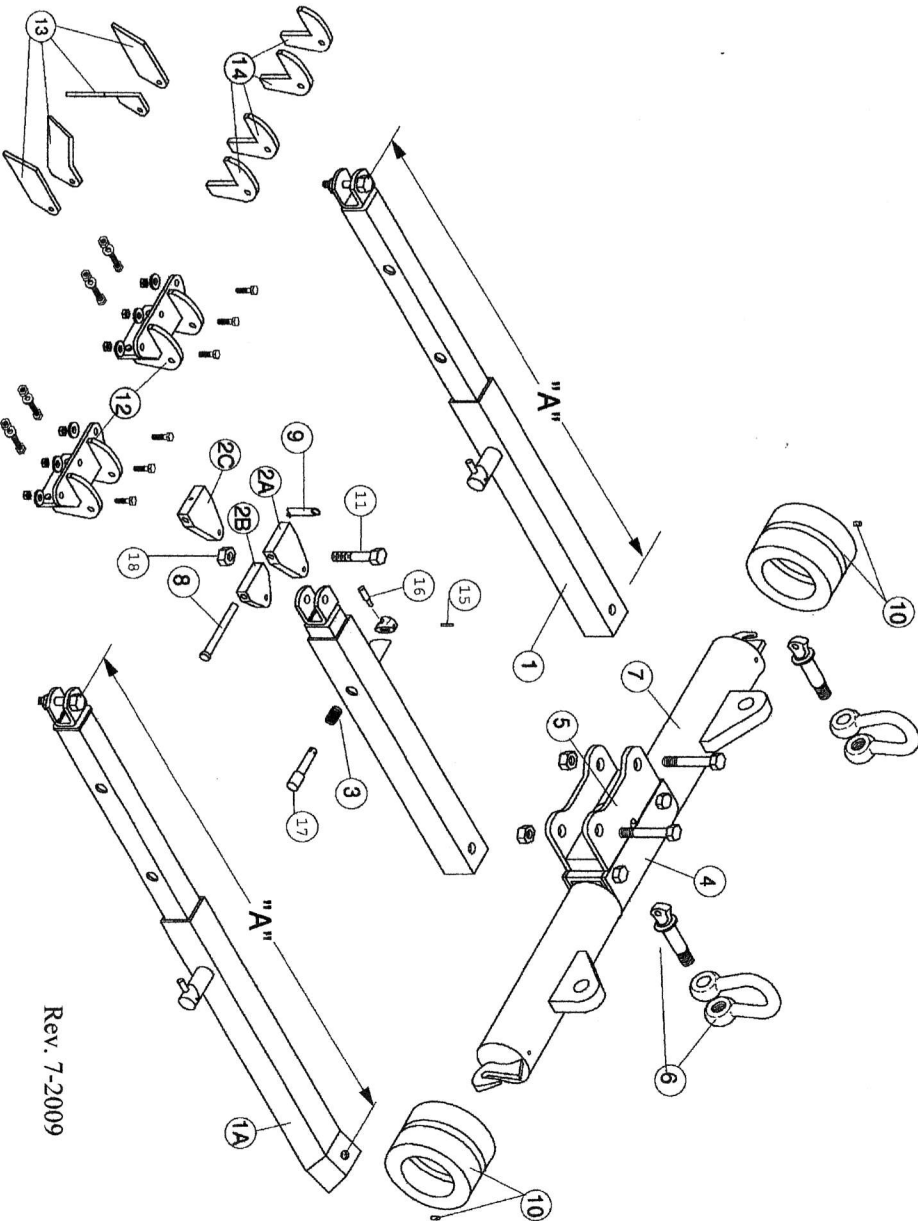
Commercial Truck and Towing Accessories

| Item # | Part # | Description |
|--------|-------------------------------------|---|
| 1) | TB-6819-3 | Arm Assembly Complete |
| 1a) | TS-6415PA TS-6415DA TB-6819-4 | Angled Arm Assembly Complete (passenger side) Angled Arm Assembly Complete (drivers side, not shown) XL Arm Assembly Complete (not shown) |
| 2a) | TB-6650 | 2-Way Hinge w/Offset (3/4" pin, 3/4" bolt, 3 1/4" Center-to-center) |
| 2b) | TB-6650S | 2-Way Hinge, (3/4" pin, 3/4" bolt, 1 1/2" Center-to-center) <u>USED ON TB-6800-26</u> |
| 2c) | TB-6660 | 2-Way Hinge w/Offset (3/4" pin, 3/4" bolt, 3 1/4" Center-to-center) w/grease set <u>USED ON TB-6900-3</u> |
| | TS-6497 | 2-Way Hinge, (3/4" pin, 3/4" bolt, 3 1/4" Center-to-center, 3 3/4" wide) <u>USED ON TB-6800-5</u> |
| | TS-6486 | 2-Way Hinge, w/Offset (5/8" pin, 3/4" bolt, 3 1/2" Center-to-center, <u>USED ON TB-6800-4 & TB-6900-2</u> |
| 3) | TS-343 | Spring (zp) |
| 4) | TB-6604 | Swivel Strap |
| 5) | TB-6809H | Pivot Weldment (w/arm hardware) |
| 6) | X-559 | Anchor Shackles, 3/4" (galvanized) |
| 7) | TB-6804 | Lower Bar Weldment (w/7/16" G70 Hooks) |
| 8) | X-382 | Lower Bar Weldment (w/7/16" G43 Hooks) |
| 9) | X-380 | 3/4"x5 1/2" Clevis Pin (zp) |
| 10) | X-358 | 5/8"x5 1/2" Clevis Pin (zp) |
| | TB-1 | Safety Pin (zp) |
| | TB-2 | 4 Rubber Ring Kit (4" ID w/Dowel Pins) |
| | X-460-1 | 2 Rubber Ring Kit (4" ID w/Dowel Pins) |
| | X-047 | Single Rubber Ring (6"od X4"ID X1.25") |
| | TB-6060-1 | Hex Bolt, 3/4"x3" (zp) |
| | TB-643 | Corner Mount Bolt-on Bracket Kit |
| | TB-6065 | Old-style Weld-on Bracket Kit |
| | X-409 | Corner Mount Weld-on Bracket Kit |
| | TS-6425 | Roll Pin, 5/32"x 1 1/8" (zp) |
| | TS-6424 | 1" Camlock Handle |
| | X-235 | 1" Camlock Plunger Nylock Nut, 3/4" (zp) |

Also Available: TS-6423A 1" Camlock Assembly Complete

and X-460 Single Rubber Ring (6"od X3.5"ID X1.25")

| Arm Dimension "A" | #1 | #1A | TB-6819-4 (not shown) |
|---------------------------|-------|-------|-----------------------|
| Short-Locked Position | 28.5" | 29.5" | 32.5" |
| Mid-Locked Position | 35" | 38" | 38.5" |
| Full Extension (unlocked) | 45" | 47" | 48.5" |



Diversified Products Mfg.

8330 Atlantic Blvd, Jacksonville FL 32211
800-874-4172, 904-724-0310, Fax 904-724-4494