

DUAL MOUNT DOLLY BUNK KIT

| PART # | DESCRIPTION | LBS | HEIGHT 'C' | BOT. DOLLY 'D' |
|----------|-----------------------|-----|------------|----------------|
| WD-5520 | 4.8x8 TIRE DOLLY BUNK | 88 | 6 | 10 |
| WD-5520L | 5.7x8 TIRE DOLLY BUNK | 88 | 7 | 11 |

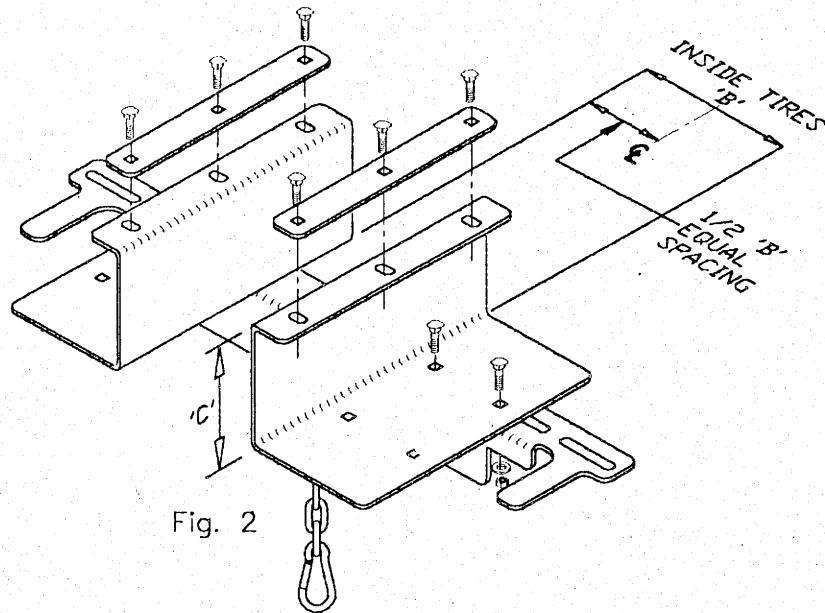


Fig. 2

INSIDE MOUNT INSTALLATION:

Fig. 2 Dolly tires locked position.

(tire side plates between tires)

Step 1. With the tires fully raised in the locked position. Measure inside dimension between tires 'B' and equally space the side plates from center of rear mounting angle according to the inside dimension between tires. Bolt in place. Dolly bunk must fit snug inside tires.

See Step 2.

IMPORTANT NOTE:

CAUTION: Dolly must be stored with the tires in the locked position when tire plates are between tires. Secure the dolly tightly to the dolly bunk using the chain & snap link provided before transporting.

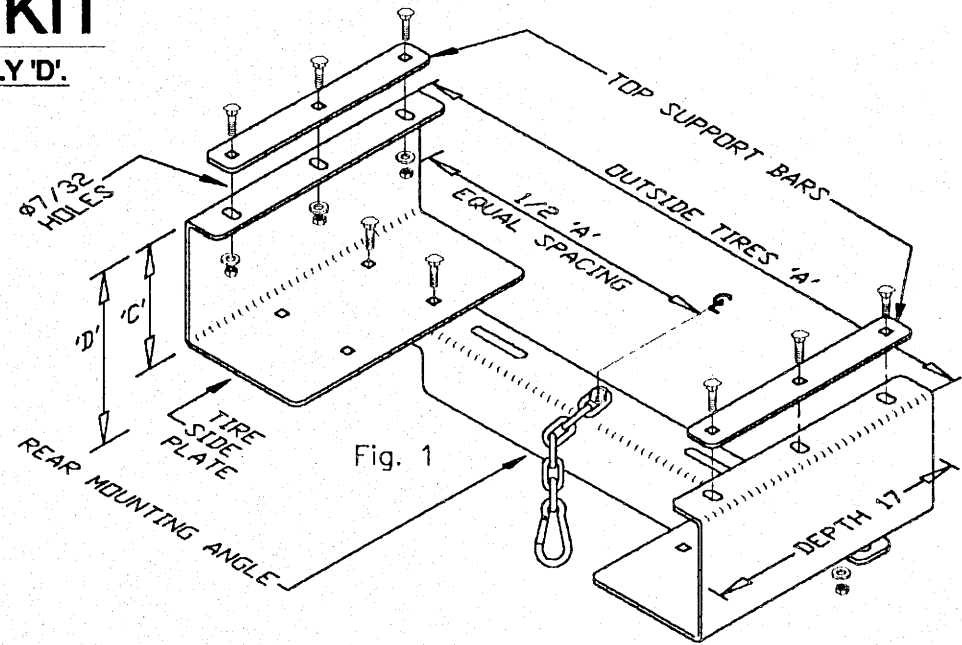


Fig. 1

OUTSIDE MOUNT INSTALLATION:

Fig. 1 Dolly tires unlocked position.

(tire side plates outside tires)

Step 1. For correct side frame fit measure length 'A', with the tires unlocked & fully compressed, over outside of tires and equally space tire side plates from the center of rear mounting angle to the outside dimension measured. Bolt tire side plates in place. (dolly side frame must fit snug in dolly bunk)

Step 2. For inside and outside mounts. Locate dolly bunk under wrecker. Mark and drill all 6 Ø7/32 holes. Place top support bars in place and assemble by pushing bolts thru top support bars, wrecker body and tire side plates. Tighten all bolts. Place side frame in dolly bunk (must fit snug). Wrap chain around side frame and secure as tight as possible to the dolly bunk.

IMPORTANT NOTE:

CAUTION: Secure the dolly tightly to the dolly bunk using the chain & snap link provided before transporting.